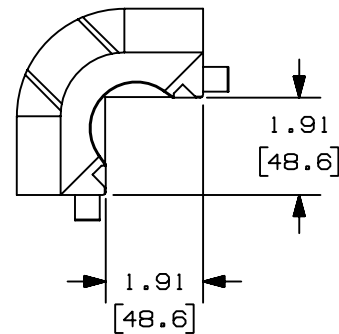
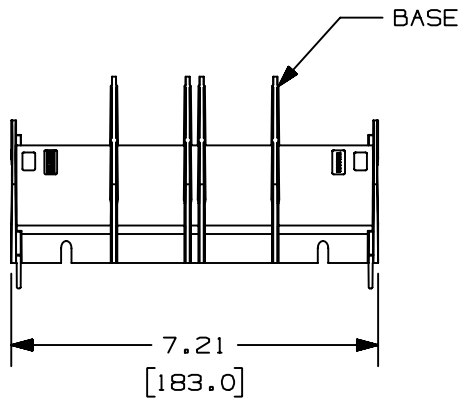
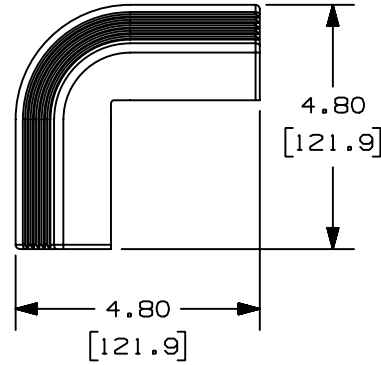
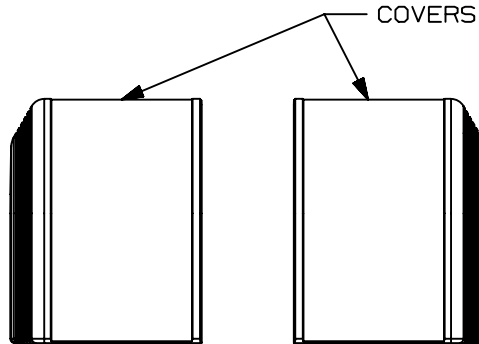


THIS COPY IS PROVIDED ON A RESTRICTED BASIS AND IS NOT TO BE USED IN ANY WAY DETRIMENTAL TO THE INTERESTS OF PANDUIT CORP.

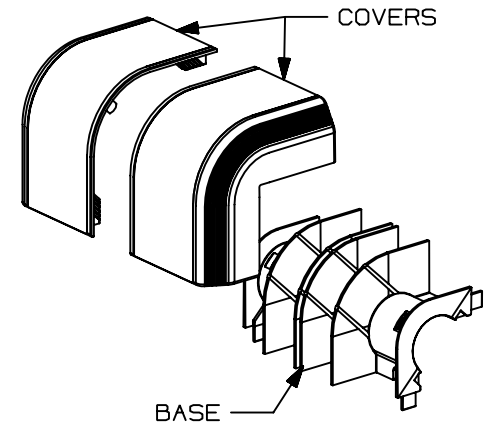


| PANDUIT P/N | WEIGHT |
|-------------|-----------------------------------|
| T7020C | 3.12 LB/10 PCS (1418 g/10 PCS) |



NOTES:

1. SEE CURRENT CATALOG FOR ADDITIONAL PART SUFFIXES TO INDICATE COLOR AND OR PACKAGE QUANTITY.
2. THIS PART IS INTENDED TO BE USED WITH PANDUIT TWIN-70 RACEWAY.
3. DIMENSIONS IN PARENTHESES ARE IN METRIC.



CAD FILENAME/LAYERS D34866DW_DC_T7020CB_02

PANDUIT CORP. TINLEY PARK, ILLINOIS

TWIN-70 OUTSIDE CORNER (T7020C)
CUSTOMER DRAWING

UNLESS OTHERWISE SPECIFIED, DIMENSIONAL TOLERANCES ARE:
(.X) ± (.XXX) ±
(.XX) ±.03(.8) ANGLES ±

UNLESS OTHERWISE SPECIFIED, ALL DIMENSIONS ARE GIVEN IN INCHES, THIRD ANGLE PROJECTION.

| REV | DATE | BY | CHK | DESCRIPTION | ECN | CHK | CUST | SUP |
|-----|----------|----|-----|---|----------|-----|------|-----|
| 2 | 07-28-98 | DW | HIW | C. REVISED TITLE NAME. B. MAT'L WAS ABS/PC AND REV'D WEIGHT. | 34866-70 | HIW | HIW | |
| 1 | 03-04-98 | DW | HIW | A. PART NAME WAS CORNER FITTING BASE. | 34866-70 | HIW | HIW | |
| R | 02-27-98 | DW | HIW | RELEASED TO PRODUCTION. | 34866-70 | HIW | HIW | |

DRAWN BY
DW
DATE
02-27-98
CHECKED BY
HIW

MAT'L:
PVC

SCALE
NONE
DRAWING NO.
34866-70

DWG
A
SIZE